

**Important Notes :**

1. OPTION 1 : NET SQM : 29,7M2
2. OPTION 2 : NET SQM : 30,6M2
3. QUANTITY IN CONDOTEL B : 58 UNITS
- 4.
- 5.

**FOR CONSTRUCTION CS**

Revision :	Description :	Date :	Remark/Sign :
△	ARCHITECTURAL WALL UPDATES		
△	ARCHITECTURAL WALL UPDATES		
△	ARCHITECTURAL WALL UPDATES		
△	ARCHITECTURAL WALL UPDATES		
△	ARCHITECTURAL WALL UPDATES		
△	ARCHITECTURAL WALL UPDATES		

A	ARCHITECTURAL UPDATES		
C	CIVIL UPDATES		
E	ELECTRICAL UPDATES		
I	INTERIOR UPDATES		
L	LANDSCAPE UPDATES		
M	MECHANICAL UPDATES		
P	PLUMBING UPDATES		
S	STRUCTURE ENGINEER UPDATES		
Z	MAIN CONTRACTOR UPDATES		

Project Title :

## SHANTIRA

Client :

### ROYAL HỘI AN

Address :

488 HAI BÀ TRUNG,  
PHƯỜNG TÂN AN, THÀNH PHỐ HỘI AN

Design :

DESIGN DEPARTMENT

Address :

SHANTIRA PROJECT

Drawing Title :

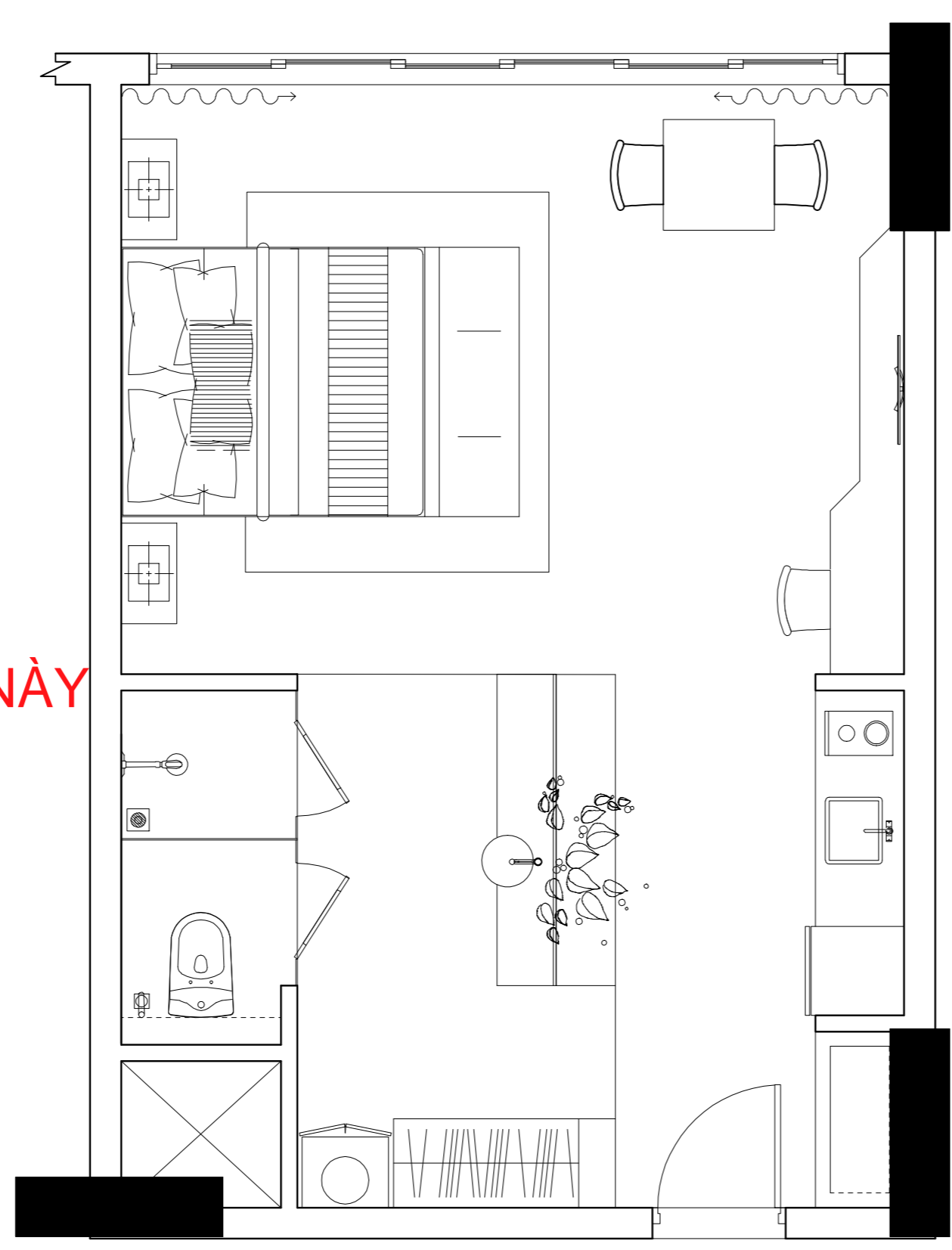
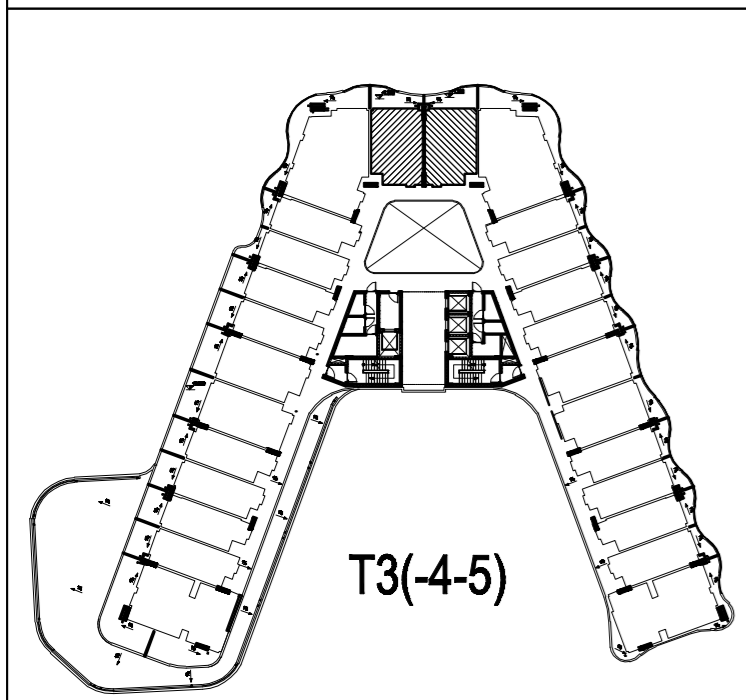
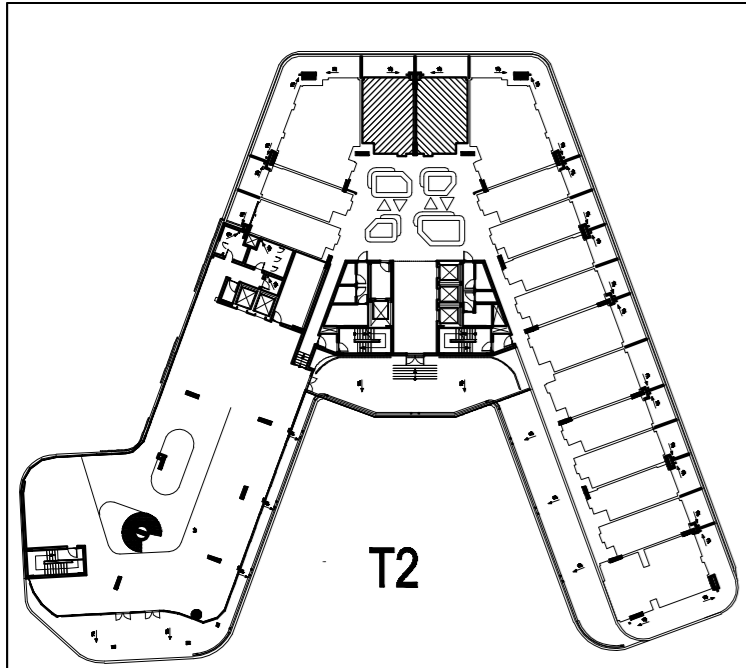
STUDIO

Filename :	STUDIO
Scale :	A3 1:50 / A1 1:25
Date :	02 - 08 - 2020
Drawn By :	Check By :
Project No :	Sheet No :

**ĐỒ MẶT BẰNG OPT 1**

**OPTION 1**

**OPTION 2**



**KHÔNG ĐỒ MẶT BẰNG LAYOUT NÀY**

**Important Notes :**

1. NET SQM : 40M2
2. QUANTITY IN CONDOTEL B OF STUDIO SUITE : 106 UNITS
- 3.
- 4.
- 5.

**FOR CONSTRUCTION CS**

Revision :	Description :	Date :	Remark/Sign :
△	ARCHITECTURAL WALL UPDATES		
△	ARCHITECTURAL WALL UPDATES		
△	ARCHITECTURAL WALL UPDATES		
△	ARCHITECTURAL WALL UPDATES		
△	ARCHITECTURAL WALL UPDATES		
△	ARCHITECTURAL WALL UPDATES		

A	ARCHITECTURAL UPDATES		
C	CIVIL UPDATES		
E	ELECTRICAL UPDATES		
I	INTERIOR UPDATES		
L	LANDSCAPE UPDATES		
M	MECHANICAL UPDATES		
P	PLUMBING UPDATES		
S	STRUCTURE ENGINEER UPDATES		
Z	MAIN CONTRACTOR UPDATES		

**Project Title :**

**SHANTIRA**

**Client :**

**ROYAL HỘI AN**

**Address :**

488 HAI BÀ TRUNG,  
PHƯỜNG TÂN AN, THÀNH PHỐ HỘI AN

**Design :**

DESIGN DEPARTMENT

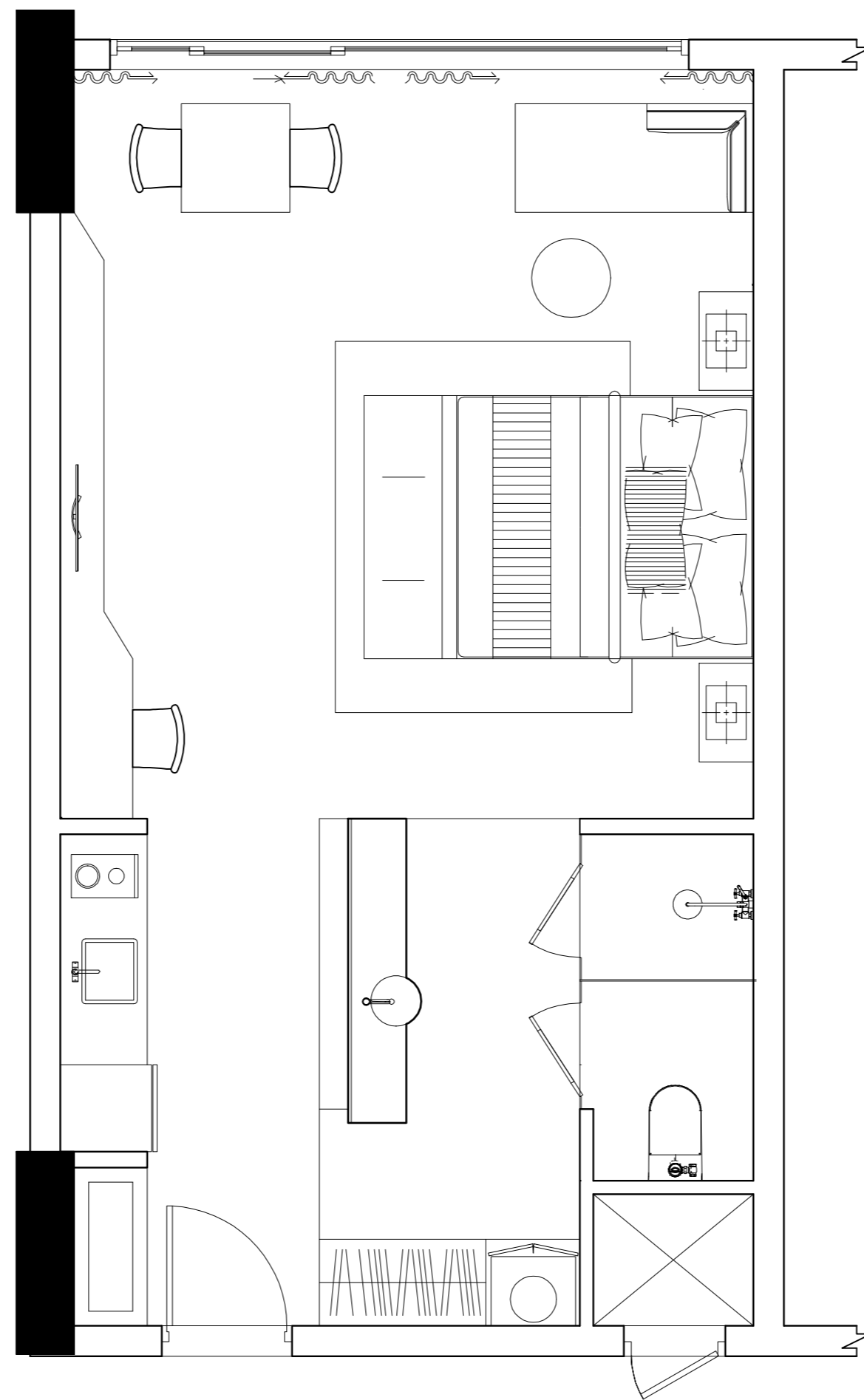
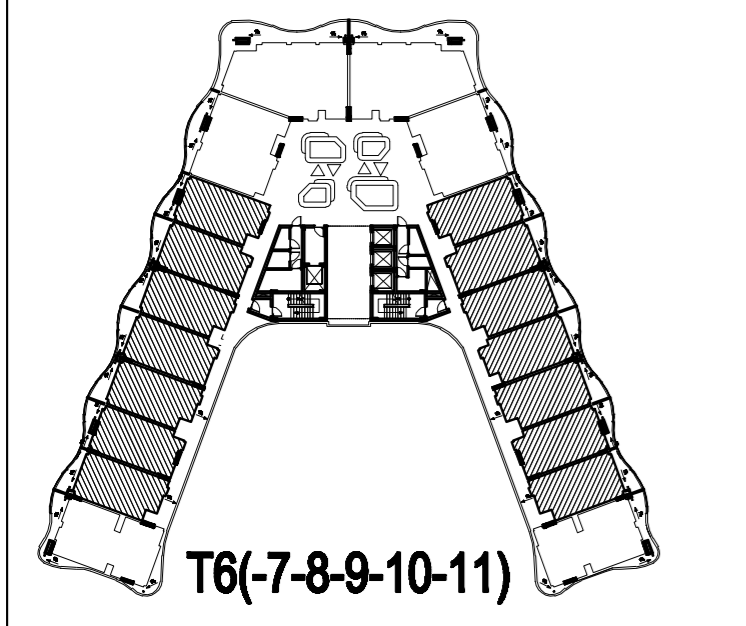
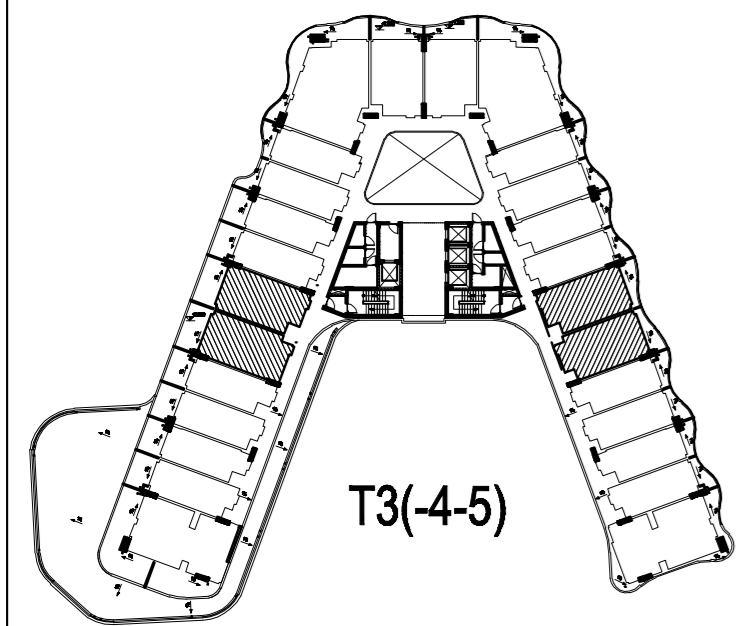
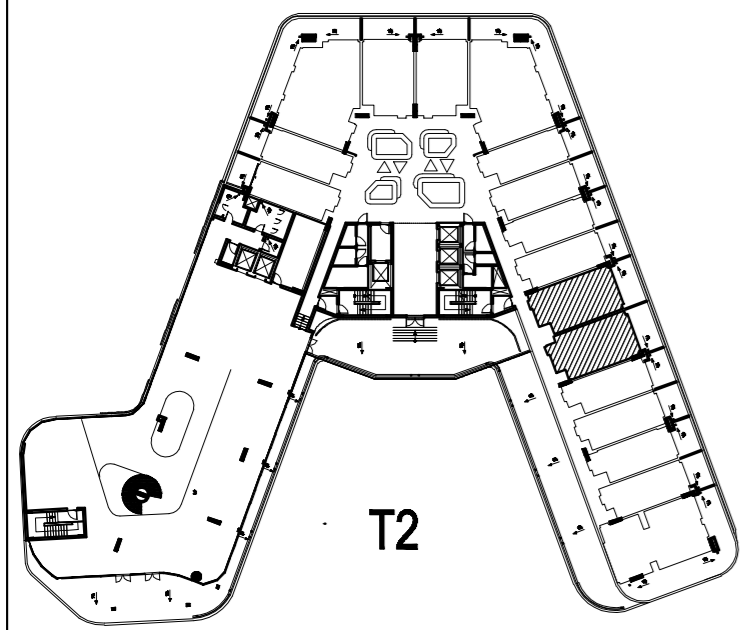
**Address :**

SHANTIRA PROJECT

**Drawing Title :**

STUDIO SUITE A

<b>Filename :</b> STUDIO SUITE 01	
<b>Scale :</b> A3 1:50	<b>Date :</b> 02 - 08 - 2020
<b>Drawn By :</b>	<b>Check By :</b>
<b>Project No :</b>	<b>Sheet No :</b>



**ĐỒ MB LAYOUT NÀY**

**Important Notes :**  
**1. NET SQM : 41M2**

**2. QUANTITY IN CONDOTEL B OF  
 STUDIO SUITE : 106 UNITS**

3.  
 4.  
 5.

**FOR CONSTRUCTION CS**

Revision :	Description :	Date :	Remark/Sign :
△	ARCHITECTURAL WALL UPDATES		
△	ARCHITECTURAL WALL UPDATES		
△	ARCHITECTURAL WALL UPDATES		
△	ARCHITECTURAL WALL UPDATES		
△	ARCHITECTURAL WALL UPDATES		
△	ARCHITECTURAL WALL UPDATES		

A	ARCHITECTURAL UPDATES		
C	CIVIL UPDATES		
E	ELECTRICAL UPDATES		
I	INTERIOR UPDATES		
L	LANDSCAPE UPDATES		
M	MECHANICAL UPDATES		
P	PLUMBING UPDATES		
S	STRUCTURE ENGINEER UPDATES		
Z	MAIN CONTRACTOR UPDATES		

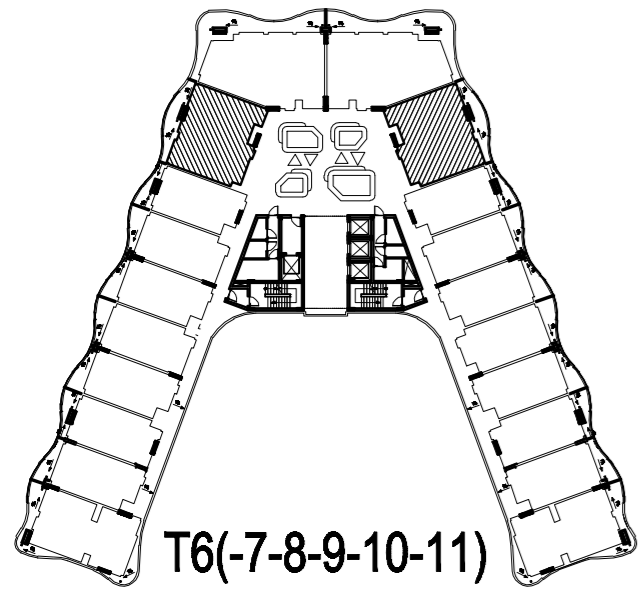
Project Title :  
**SHANTIRA**

Client :  
**ROYAL HỘI AN**  
 Address :  
 488 HAI BÀ TRUNG,  
 PHƯỜNG TÂN AN, THÀNH PHỐ HỘI AN

Design :  
**DESIGN DEPARTMENT**  
 Address :  
**SHANTIRA PROJECT**

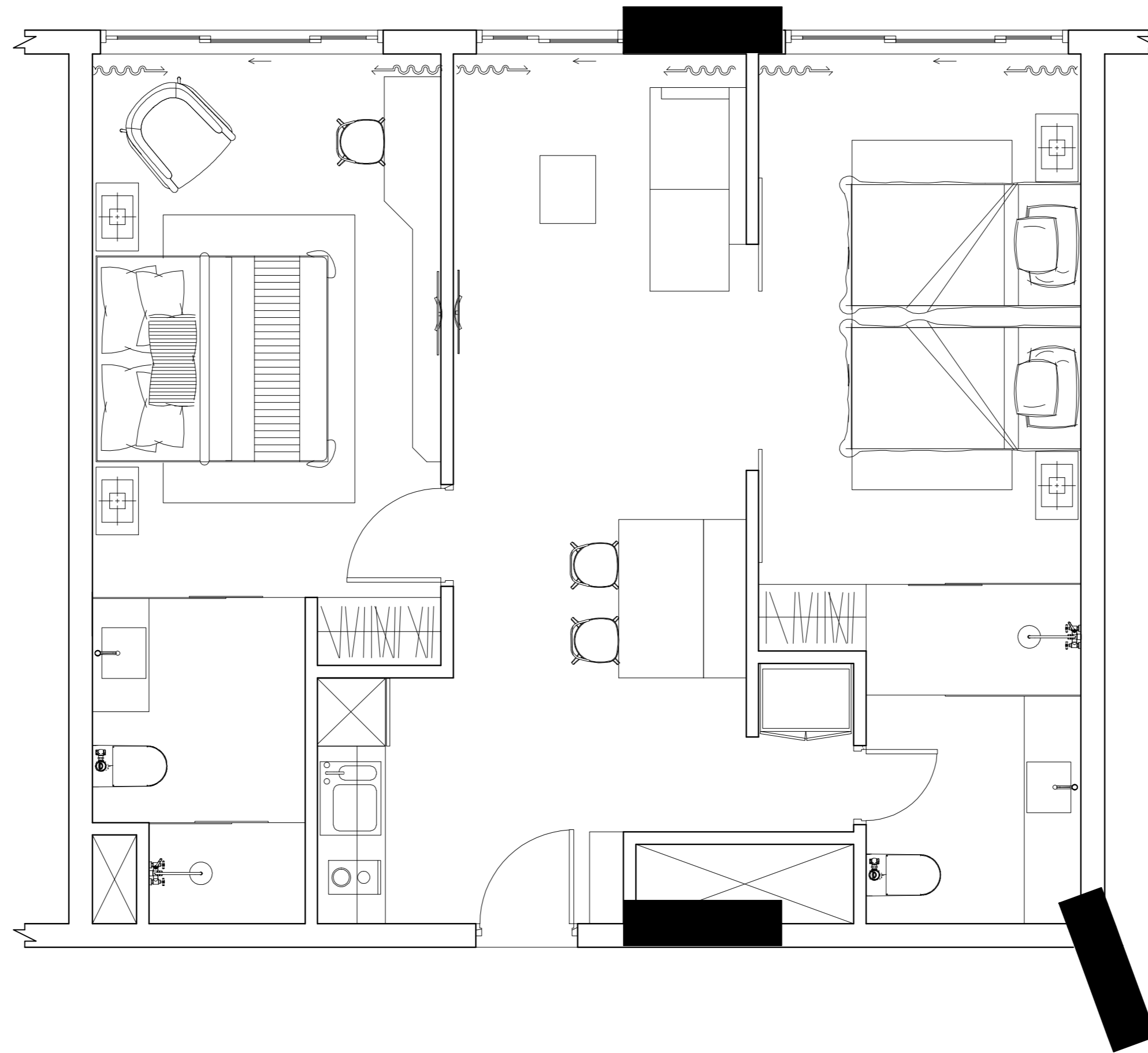
Drawing Title :  
**STUDIO SUITE B**

Filename : STUDIO SUITE 02	
Scale : A3 1:50	Date : 02 - 08 - 2020
Drawn By :	Check By :
Project No :	Sheet No :



T6(-7-8-9-10-11)

**ĐỒ MB LAYOUT NÀY**



**Important Notes :**

1. NET SQM : 66,5M2

2. QUANTITY IN CONDOTEL B OF 2BEDROOMS : 39 UNITS

3.

4.

5.

**FOR CONSTRUCTION**

**CS**

Revision :	Description :	Date :	Remark/Sign :
△	ARCHITECTURAL WALL UPDATES		
△	ARCHITECTURAL WALL UPDATES		
△	ARCHITECTURAL WALL UPDATES		
△	ARCHITECTURAL WALL UPDATES		
△	ARCHITECTURAL WALL UPDATES		
△	ARCHITECTURAL WALL UPDATES		

A	ARCHITECTURAL UPDATES		
C	CIVIL UPDATES		
E	ELECTRICAL UPDATES		
I	INTERIOR UPDATES		
L	LANDSCAPE UPDATES		
M	MECHANICAL UPDATES		
P	PLUMBING UPDATES		
S	STRUCTURE ENGINEER UPDATES		
Z	MAIN CONTRACTOR UPDATES		

Project Title :

**SHANTIRA**

Client :

**ROYAL HỘI AN**

Address :

488 HAI BÀ TRUNG,  
PHƯỜNG TÂN AN, THÀNH PHỐ HỘI AN

Design :

**DESIGN DEPARTMENT**

Address :

**SHANTIRA PROJECT**

Drawing Title :

**2 BEDROOMS A**

Filename : 2 BEDROOMS 01

Scale : A3 1:50

Date : 02 - 08 - 2020

Drawn By :

Check By :

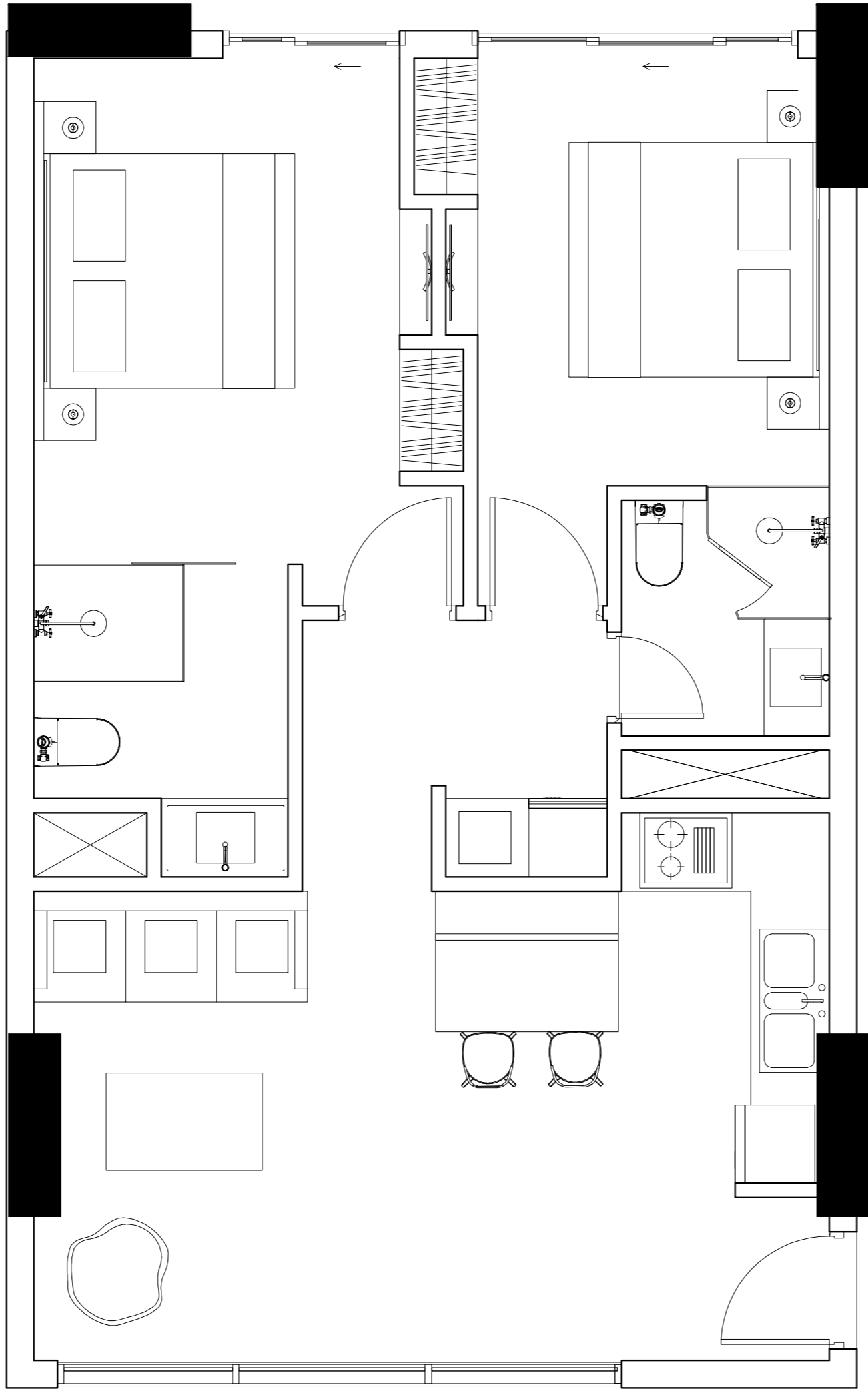
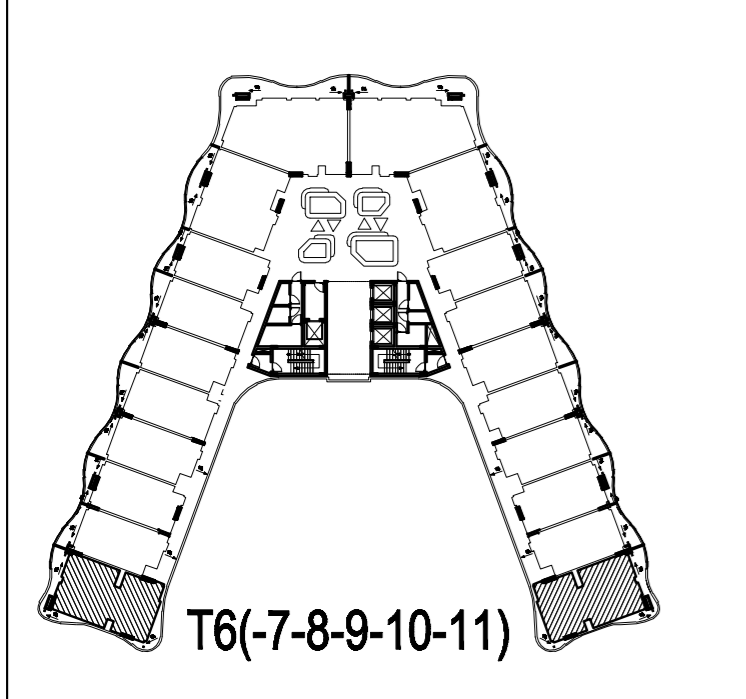
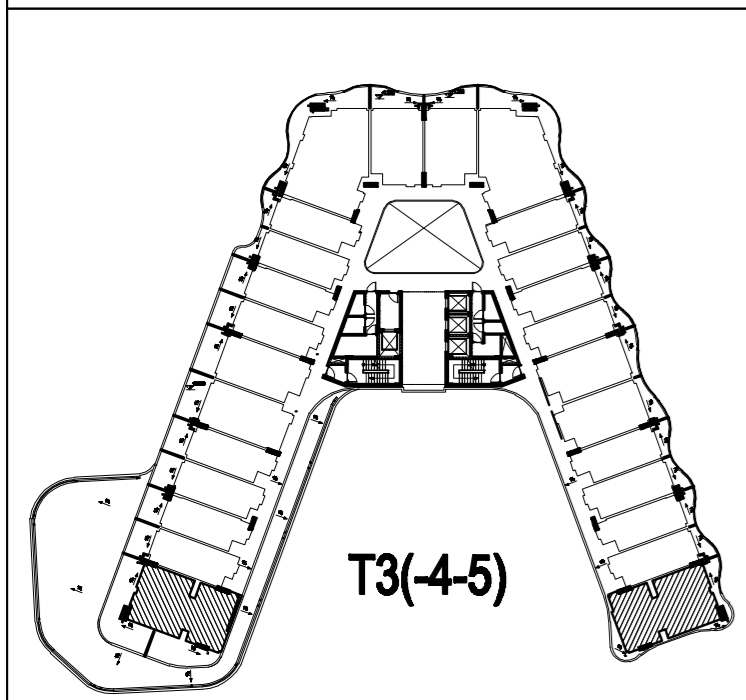
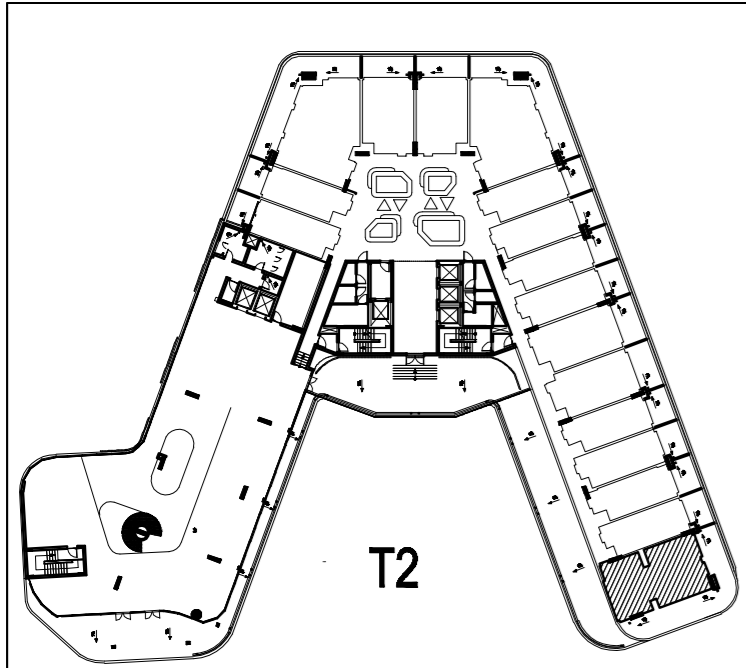
Project No :

Sheet No :



**ARCHITECTURE LAYOUT PLAN**

Scale A3 1:50 / A1 1:25



**Important Notes :**

- NET SQM : 61,1M2
- QUANTITY IN CONDOTEL B OF 2BEDROOMS : 39 UNITS
- 
- 
- 

**FOR CONSTRUCTION CS**

Revision	Description	Date	Remark/Sign
△	ARCHITECTURAL WALL UPDATES		
△	ARCHITECTURAL WALL UPDATES		
△	ARCHITECTURAL WALL UPDATES		
△	ARCHITECTURAL WALL UPDATES		
△	ARCHITECTURAL WALL UPDATES		
△	ARCHITECTURAL WALL UPDATES		

A	ARCHITECTURAL UPDATES		
C	CIVIL UPDATES		
E	ELECTRICAL UPDATES		
I	INTERIOR UPDATES		
L	LANDSCAPE UPDATES		
M	MECHANICAL UPDATES		
P	PLUMBING UPDATES		
S	STRUCTURE ENGINEER UPDATES		
Z	MAIN CONTRACTOR UPDATES		

**Project Title :**

**SHANTIRA**

**Client :**

**ROYAL HỘI AN**

**Address :**

488 HAI BÀ TRUNG,  
PHƯỜNG TÂN AN, THÀNH PHỐ HỘI AN

**Design :**

**DESIGN DEPARTMENT**

**Address :**

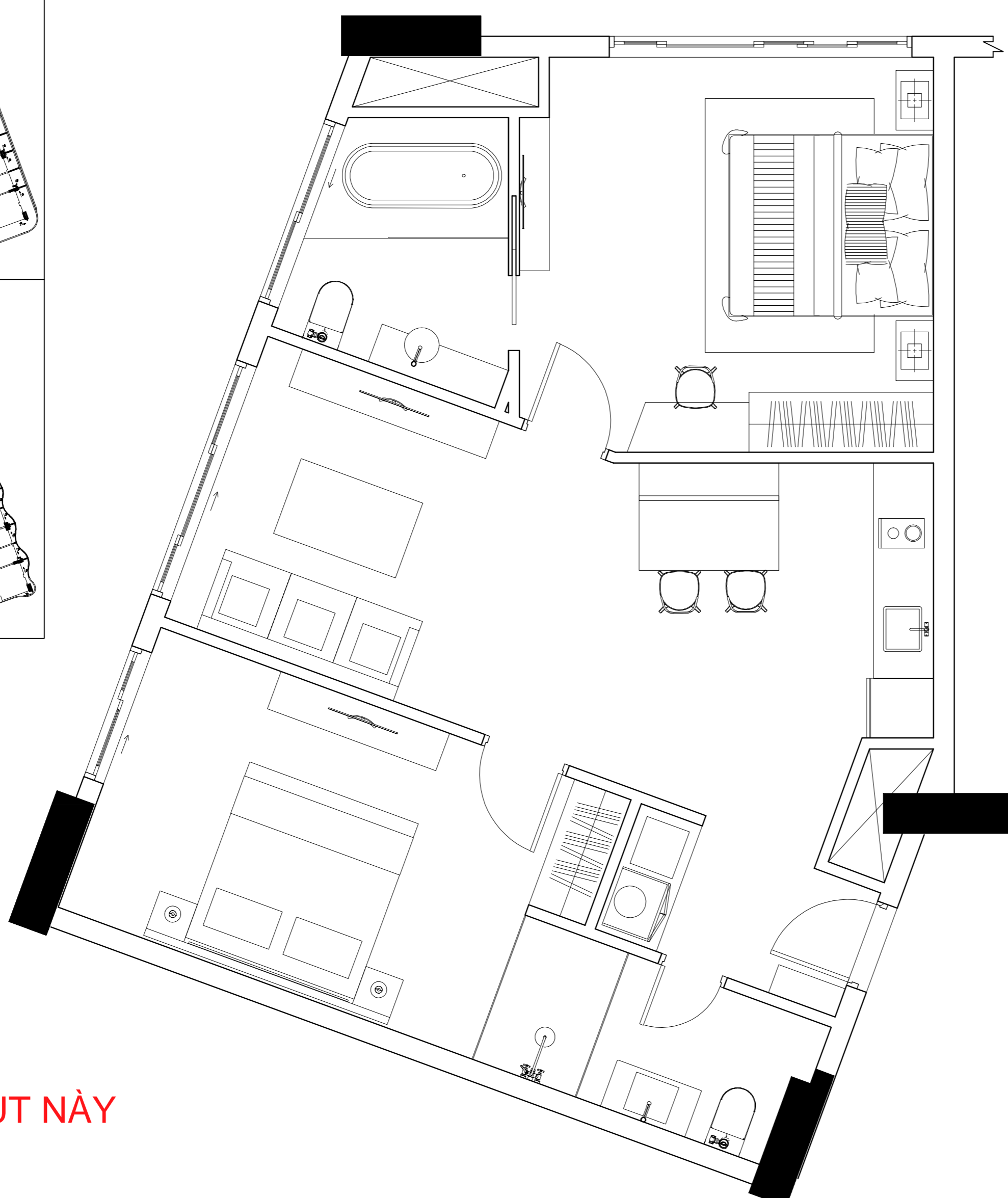
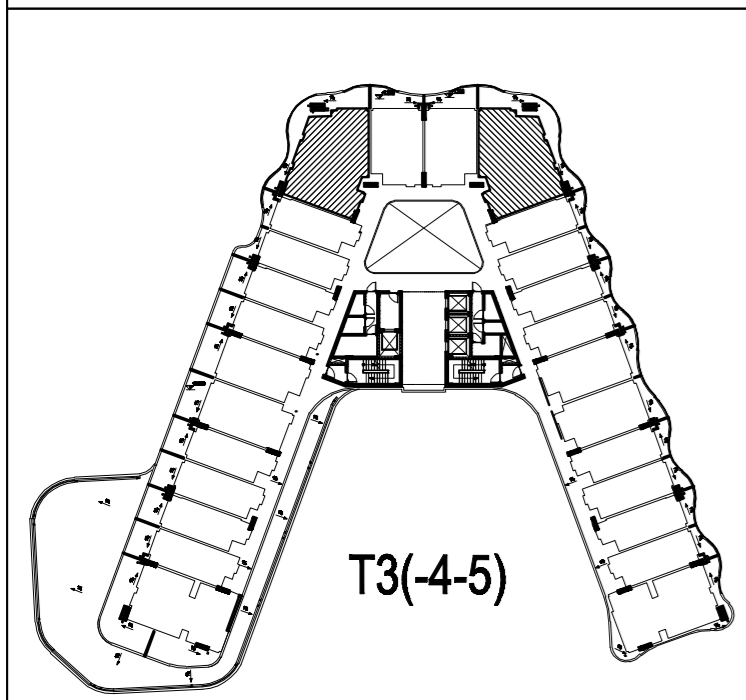
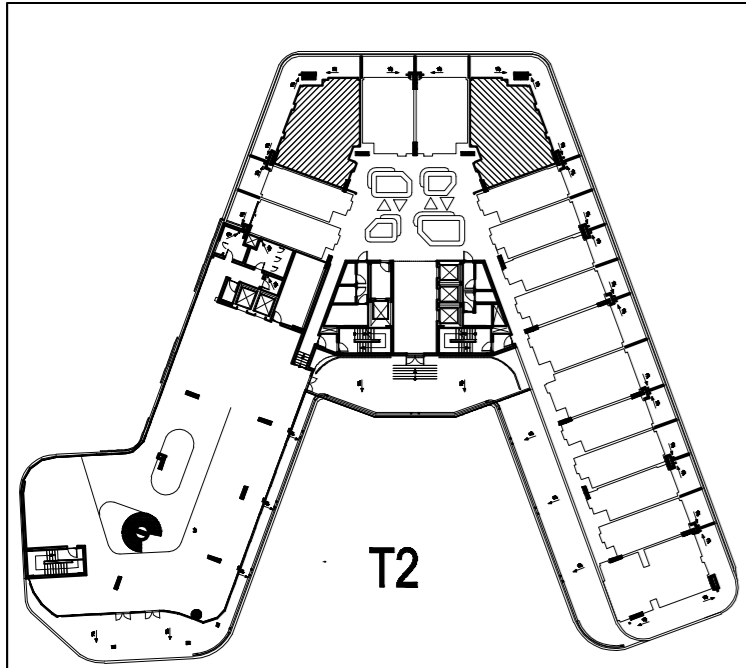
**SHANTIRA PROJECT**

**Drawing Title :**

**2 BEDROOMS B**

Filename : 2 BEDROOMS 02	
Scale : A3 1:50	Date : 02 - 08 - 2020
Drawn By :	Check By :
Project No :	Sheet No :

**ĐỒ MB LAYOUT NÀY**



**ĐỒ MB LAYOUT NÀY**

**Important Notes :**  
 1. NET SQM : 71,7M2  
 2. QUANTITY IN CONDOTEL B OF 2BEDROOMS : 39 UNITS  
 3.  
 4.  
 5.

**FOR CONSTRUCTION CS**

Revision :	Description :	Date :	Remark/Sign :
△	ARCHITECTURAL WALL UPDATES		
△	ARCHITECTURAL WALL UPDATES		
△	ARCHITECTURAL WALL UPDATES		
△	ARCHITECTURAL WALL UPDATES		
△	ARCHITECTURAL WALL UPDATES		
△	ARCHITECTURAL WALL UPDATES		

A	ARCHITECTURAL UPDATES		
C	CIVIL UPDATES		
E	ELECTRICAL UPDATES		
I	INTERIOR UPDATES		
L	LANDSCAPE UPDATES		
M	MECHANICAL UPDATES		
P	PLUMBING UPDATES		
S	STRUCTURE ENGINEER UPDATES		
Z	MAIN CONTRACTOR UPDATES		

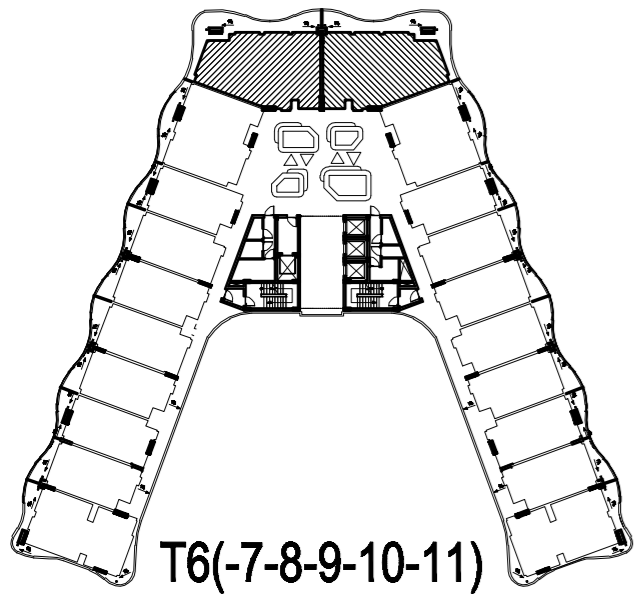
**Project Title :**  
**SHANTIRA**

**Client :**  
**ROYAL HỘI AN**  
 Address :  
 488 HAI BÀ TRUNG,  
 PHƯỜNG TÂN AN, THÀNH PHỐ HỘI AN

**Design :**  
 DESIGN DEPARTMENT  
 Address :  
 SHANTIRA PROJECT

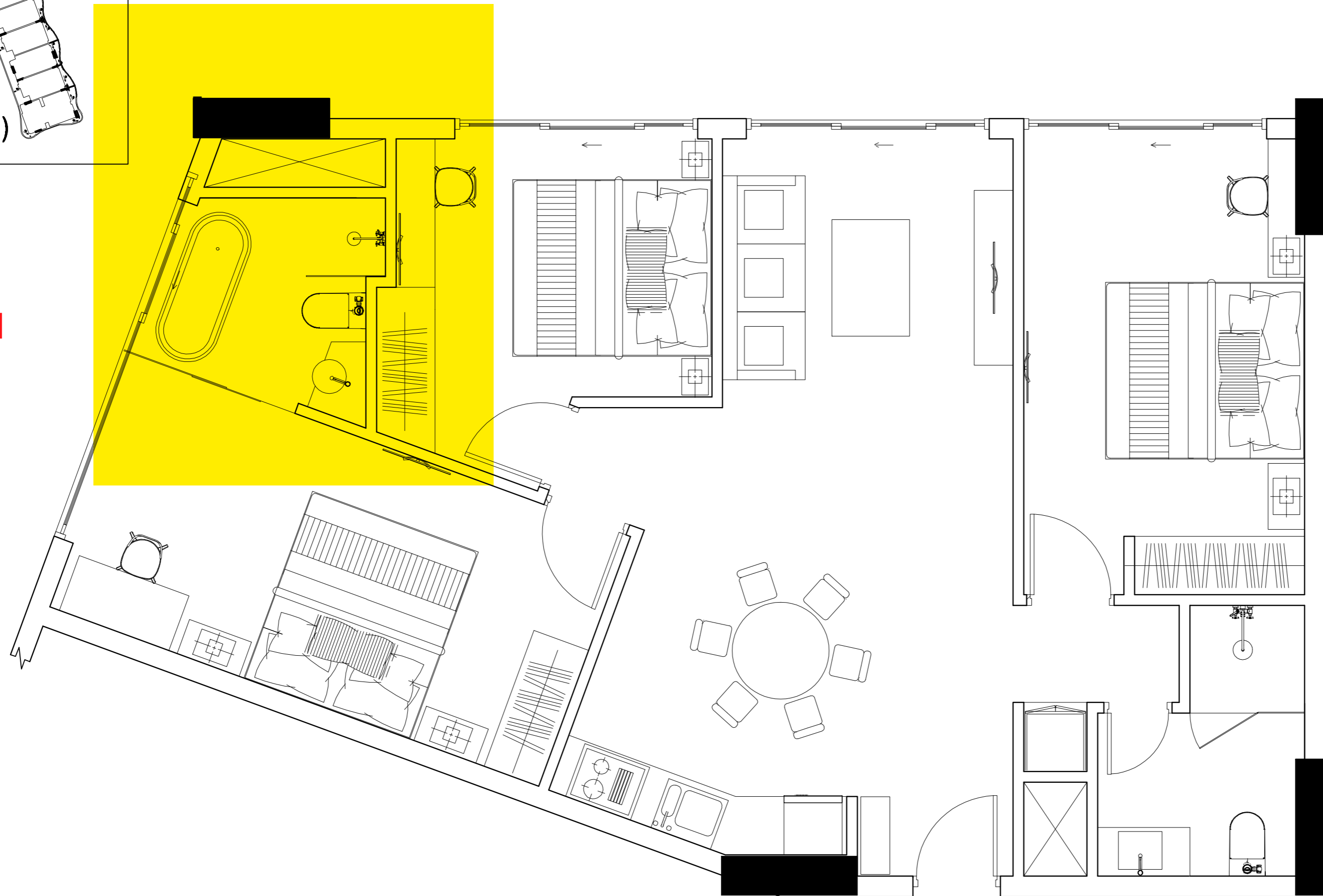
**Drawing Title :**  
 2 BEDROOMS C

Filename : 2 BEDROOMS 03	
Scale : A3 1:50	Date : 02 - 08 - 2020
Drawn By :	Check By :
Project No :	Sheet No :



**ĐỒ MB LAYOUT NÀY**

**CẬP NHẬT  
ĐIỀU CHỈNH  
SAU CÙNG  
KHU VỆ SINH**



**Important Notes :**

1. NET SQM : 83,8M2

2. QUANTITY : 12 UNITS

3.

4.

5.

**FOR CONSTRUCTION CS**

Revision :	Description :	Date :	Remark/Sign :
△	ARCHITECTURAL WALL UPDATES		
△	ARCHITECTURAL WALL UPDATES		
△	ARCHITECTURAL WALL UPDATES		
△	ARCHITECTURAL WALL UPDATES		
△	ARCHITECTURAL WALL UPDATES		
△	ARCHITECTURAL WALL UPDATES		

A	ARCHITECTURAL UPDATES		
C	CIVIL UPDATES		
E	ELECTRICAL UPDATES		
I	INTERIOR UPDATES		
L	LANDSCAPE UPDATES		
M	MECHANICAL UPDATES		
P	PLUMBING UPDATES		
S	STRUCTURE ENGINEER UPDATES		
Z	MAIN CONTRACTOR UPDATES		

Project Title :

**SHANTIRA**

Client :

**ROYAL HỘI AN**

Address :

488 HAI BÀ TRUNG,  
PHƯỜNG TÂN AN, THÀNH PHỐ HỘI AN

Design :

DESIGN DEPARTMENT

Address :

SHANTIRA PROJECT

Drawing Title :

3 BEDROOMS

Filename : 3 BEDROOMS

Scale : A3 1:50

Date : 02 - 08 - 2020

Drawn By :

Check By :

Project No :

Sheet No :



**ARCHITECTURE LAYOUT PLAN**

Scale A3 1:50 / A1 1:25